



The SeaHawk X-Connector (X-CON) allows branching of our SeaHawk Water Leak Detection Cable (SC) and SeaHawk Non-Sensing Cable (NSC). With one input, one output, and two branch lines, the X-CON resolves the common dilemma of multi-directional routing of SC. The X-CON allows cable branching in up to three different directions making it ideal for water line applications.

The X-CON can be connected to any SeaHawk cable (SC, NSC), and/or SD-Z spot detector, and is compatible with any SeaHawk leak detection panel. Each output simulates 50 feet (15.24m) of SC providing distinct separation of each output without affecting the accuracy of the reading. Multiple X-CON units can be used within a single leak detection system.

Mating end connectors make the X-CON easy to integrate and install. Two End-of-Line (EOL) terminators are included with each X-CON.

### Feature

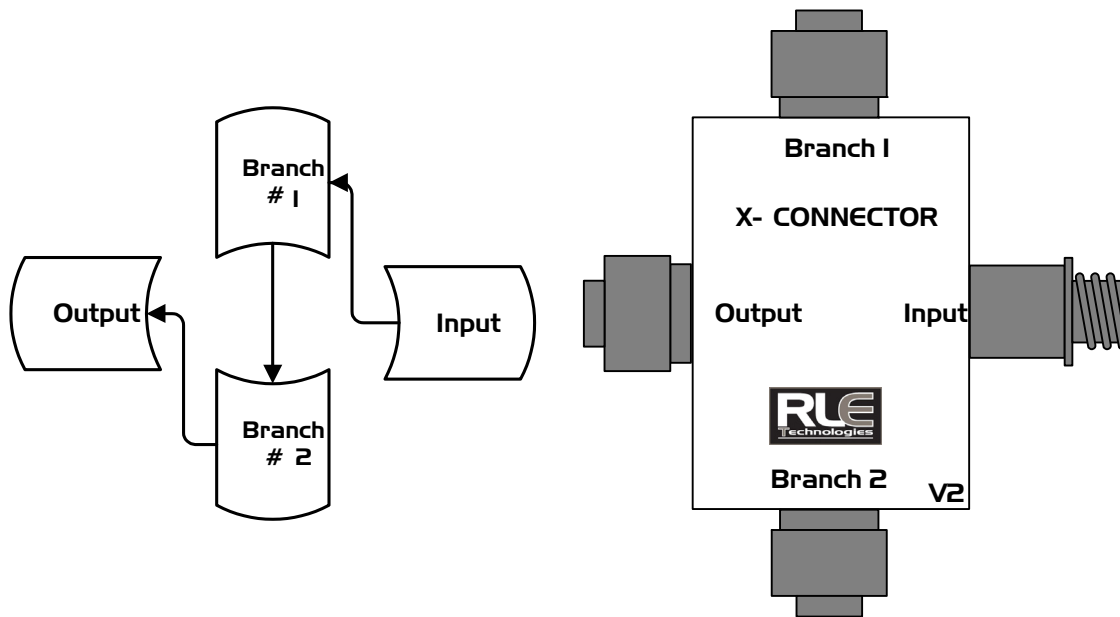
- One cable input & up to three cable outputs
- Avoids duplication of cable runs with both SC & NSC
- Compatible with SC, NSC, SD-Zs, & leak detection panels
- Includes two EOL (End-of-Line) terminators
- CE, ETL listed; RoHS compliant

### Benefit

- Simplifies multi-directional cable runs
- Ideal solution for water line applications
- Saves cost by integrating with the current system
- Easy to install with mating end connectors
- Environmentally friendly

## Diagram

Input, Output, Branch 1, and Branch 2 can connect to SC Cable, NSC Cable, or SD-Z spot detectors.



50 feet (15.24m) of SC simulated by internal fixed resistors for each branch and the output. The unit simulates 150 feet (45.72m) overall.

From the input, the next output is branch #1. On distance read systems add 50' (15.24m) from the Input cable end distance to the beginning distance of branch #1.

From Branch 1, the next output is branch #2. On distance read systems add 50' (15.24m) from the Branch 1 cable end distance to the beginning distance of branch #2.

From Branch 2, the next output is the output. On distance read systems add 50' (15.24m) from the Branch 2 cable end distance to the beginning distance of the output.

## Specifications

<b>Inputs</b>	1
<b>Outputs</b>	3; each output simulates 50 ft. (15.24m) of SC
<b>End of Line Terminators (EOL)</b>	2 Supplied
<b>Operating Environment</b>	
<b>Temperature</b>	32° to 167°F (0° to 75°C)
<b>Humidity</b>	5% to 95% RH, non-condensing
<b>Altitude</b>	15,000ft. (4,572m) max.
<b>Storage Environment</b>	-22° to 185°F (-30° to 85°C)
<b>Dimensions</b>	2.0"W x .90"H x 3.0"D (50.8mmW x 22.9mmH x 76.2mmD)
<b>Weight</b>	5.5 oz. (156g)
<b>Certifications</b>	CE; ETL listed: conforms to UL STD 61010-1, EN STD 61010-1; RoHS compliant



Although the information contained in this document is believed to be accurate and correct, RLE Technologies assumes no responsibility, and disclaims all liability, for any damages resulting from the use of this information or any error or omission in this document. RLE Technologies does not warrant, guarantee, or make any representations as to the performance, fitness for use, safety, or reliability of any existing or future wiring, equipment, additions or modifications to equipment, or any other component of the original or modified system. Specifications are subject to change without notice.



104 RACQUETTE DRIVE  
FORT COLLINS CO 80524  
WWW.RLETECH.COM  
970 484-6510