

# TransGuard™ 300



## MODEL NUMBER SCHEME

E.g. MODEL # TG **300**-**120/208**-**3GY**-**DM**-**L 3**

**A**      **B**      **C**

### A – SURGE RATING (Must Choose One)

60	60kA per mode
80	80kA per mode
100	100kA per mode
125	125kA per mode
150	150kA per mode
200	200kA per mode
250	250kA per mode
300	300kA per mode

### B – VOLTAGE (Must Choose One)

120/208-3GY	120/208V, 3-Phase WYE, 4-Wire + Ground
220/380-3GY	220/380V, 3-Phase WYE, 4-Wire + Ground
277/480-3GY	277/480V, 3-Phase WYE, 4-Wire + Ground
347/600-3GY	347/600V, 3-Phase WYE, 4-Wire + Ground
120/240-2G	120/240V, 1-Phase, 3-Wire + Ground
120/240-3GHD	120/240V, 3-Phase High-Leg DELTA, 4-Wire + Ground (B Phase must be 208V)
120/240-2G	120/240V, 1-Phase, 3-Wire + Ground
240-3DG	240V, 3-Phase DELTA, 3-Wire + Ground
380-3DG	380V, 3-Phase DELTA, 3-Wire + Ground
480-3DG	480V, 3-Phase DELTA, 3-Wire + Ground
600-3DG	600V, 3-Phase DELTA, 3-Wire + Ground

### C– OPTIONS

#### Monitoring

- Standard Monitoring: Indicator Lights
- L1 Primary Monitoring: Standard Monitoring Plus Form "C" Contacts  
Advanced Monitoring: Primary Monitoring
- L2 Plus Event Counter Display, Audible Alarm w/LED  
MasterMIND® Diagnostic Monitoring: Advanced Monitoring Plus  
Enhanced Status Indicator Lights, Integral Multifunction Power
- L3 Monitor / Analyzer

#### Enclosure

- D Intergal Disconnect
- B Bottom Feed
- M Metal
- S Stainless

### STAND-ALONE OPTIONS (To Be Ordered As A Separate Item)

- DTS DTS-2 Diagnostic Test Set
- MT MasterTEST Hand-Held Tester:

## SYSTEM FEATURES

TransGuard® suppression filter systems feature a powerful Failure-Free ISB® (Intergrated Suppression Bus) suppression filter assembly, individual fused MOVs, improved current sharing, multiple options and much more – precisely the protection today's facilities need from costly downtime and equipment damage resulting from routine or catastrophic electrical disturbances.

## PRODUCT SPECIFICATIONS

### General Specifications

Maximum Surge Current Rating:	300kA per mode; 600kA per phase
Nominal Discharge Surge Current In:	20kA
Safety Listings	UL 1449 3 <sup>rd</sup> Edition 2009 Revision (effective 9/29/2009) as a Type 1 SPD suitable for use in Type 1 or Type 2 applications; UL 1283
Protection Method:	MOV
Product Design:	Individually fused MOVs, Solid copper, tin-plated bus
Dimensions:	Fiberglass reinforced polyester: 19.5"H x 17.5"W x 9.5"D Metal: 28"H x 16"W x 9.5"D
Weight:	Fiberglass reinforced polyester: 57 lbs. Metal: 91 lbs.
Enclosure Type:	NEMA 4
Installation Location:	Outdoor or Indoor
Operating Environment:	-40°C to +60°C 5% - 95% non-condensing humidity
Fault Current (SCCR):	200 kAIC
Connection Method:	Parallel
Protection Modes:	All modes (L-N, L-G, N-G, L-L)
Response Time:	<0.5 nanoseconds
Operating Frequency:	47-63 Hz
Warranty:	15 years

### FILTERING ATTENUATION FREQUENCIES

50KHz	100KHz	500KHz	1MHz	5MHz	10MHz	50MHz	100MHz
53dB	41dB	32dB	31dB	32dB	35dB	47dB	53dB

### SINGLE/REPETITIVE SURGE CURRENT CAPACITIES

Protection mode	Single pulse surge current capacity/mode	Category C3 20kA, 10kA Repetitive surge current capacity/mode
Line-to-Neutral	300,000 amps	7,500 impulses
Line-to-Ground	300,000 amps	7,500 impulses
Neutral-to-Ground	300,000 amps	7,500 impulses
Line-to-Line	300,000 amps	7,500 impulses
Per Phase	600,000 amps	N/A

### MAXIMUM CONTINUOUS OPERATING VOLTAGE (MCOV)

Nominal Voltage	MCOV	Nominal Voltage	MCOV
120V	150V	347V	420V
220V	275V	480V	550V
277V	320V	600V	660V

Specifications subject to change without notice, refer to [www.currenttechnology.com](http://www.currenttechnology.com) for latest issue.

Made in U.S.A.

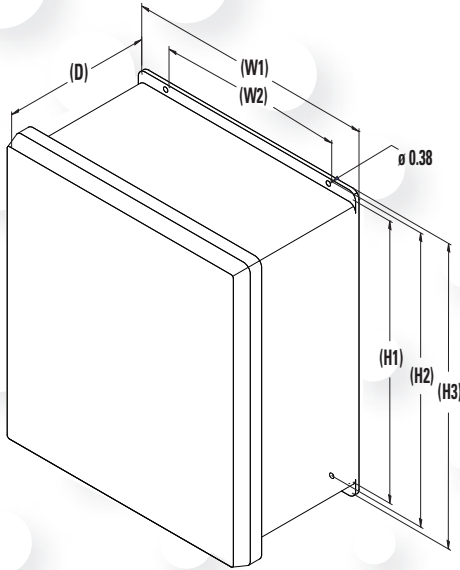
# TransGuard™ 300

## DIMENSIONAL SPECIFICATIONS

### Fiberglass Reinforced Polyester Case

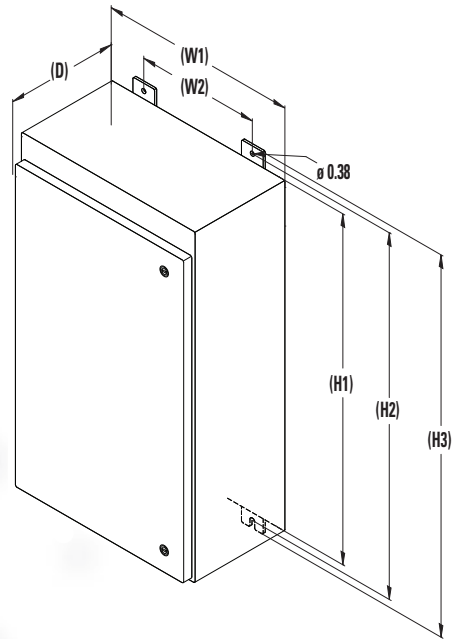
Dim	Inches	(mm)
H1	18.00	(457.2)
H2	18.76	(476.5)
H3	19.49	(495.0)
W1	16.00	(406.4)
W2	11.98	(304.3)
D	9.58	(243.3)

All measurements in inches (mm)



### Metal Case

Dim	Inches	(mm)
H1	28.00	(711.2)
H2	29.25	(742.9)
H3	30.50	(774.7)
W1	16.00	(406.4)
W2	10.00	(254.0)
D	9.07	(230.3)



## TRANSGUARD 300 PERFORMANCE DATA

### WITHOUT DISCONNECT

System Voltage	120/240V or 120/208V				277/480V			
	L-N	L-G	N-G	L-L	L-N	L-G	N-G	L-L
<b>Protection Mode</b>								
<b>MCOV</b>	150	150	0	300	320	320	0	550
<b>B3 Ring Wave 6kV, 500A</b>	325	400	350	400	550	850	700	650
<b>C3 Combo Wave 20kV, 10kA</b>	650	650	750	950	1125	1075	1225	1950
<b>UL1449 2nd Edition SVR 6kV, 500A</b>	400	500	500	700	800	1000	900	1500
<b>UL1449 3rd Edition VPR 6kV, 3kA</b>	800	800	1200	1000	1000	1000	1500	1500

### WITH DISCONNECT

System Voltage	120/240V or 120/208V				277/480V			
	L-N	L-G	N-G	L-L	L-N	L-G	N-G	L-L
<b>Protection Mode</b>								
<b>MCOV</b>	150	150	0	300	320	320	0	550
<b>B3 Ring Wave 6kV, 500A</b>	375	450	350	500	600	875	700	750
<b>C3 Combo Wave 20kV, 10kA</b>	775	825	750	1250	1225	1225	1225	2200
<b>UL1449 2nd Edition SVR 6kV, 500A</b>	400	500	500	700	800	1000	900	1500
<b>UL1449 3rd Edition VPR 6kV, 3kA</b>	700	700	1000	1000	1000	1200	1500	1800

All TransGuard systems measured limiting voltages are peak values (±10%) measured from the zero reference point and are in compliance with test and evaluation procedures outlined in UL 1449 3rd Edition and by IEEE standards.

Specifications subject to change without notice, refer to [www.currenttechnology.com](http://www.currenttechnology.com) for latest revision.



5900 Eastport Boulevard Richmond, VA 23231-4453 USA  
 TEL: 804.236.3300 800.238.5000 FAX: 804.236.4047

## Warranty Statement

### Standard Warranty

Current Technology warrants that your Current Technology surge protective device (the "Product"), shall meet applicable industry standards and specifications and be free from defects in materials and/or workmanship. Should any failure of the Product to conform to this warranty appear within the standard warranty period, Current Technology shall either repair or replace the defective Product, or part thereof, upon return to Current Technology manufacturing facility in Richmond, Virginia with transportation charges pre-paid. The applicable warranty period is outlined below in the warranty period section.

### MasterPlan® Extended Warranty

The warranty period is extended to twenty (20) years if the Product meets all of the following criteria:

- a) The product is purchased simultaneously with a Select 2 selenium-enhanced SL2-300, SL2-250 or SL2-200 suppression filter system and
- b) the product is installed simultaneously with a Select 2 selenium-enhanced SL2-300, SL2-250 or SL2-200 suppression filter system and
- c) the product is installed electrically downstream from a Select 2 selenium-enhanced SL2-300, SL2-250 or SL2-200 suppression filter system.

Current Technology shall have no liability under this warranty for any problems or defects directly or indirectly caused by misuse of the Product, alteration of the Product (including removal of any warning labels), accidents, or improper installation, application, operation, or repair of the Product.

The liability of Current Technology under this warranty is expressly limited to the replacement or repair of the defective part thereof, at Current Technology sole option.

IN NO EVENT SHALL CURRENT TECHNOLOGY BE LIABLE FOR SPECIAL, INCIDENTAL, OR CONSEQUENTIAL DAMAGES OF ANY KIND OR CHARACTER, NOR SHALL CURRENT TECHNOLOGY' LIABILITY EVER EXCEED THE PURCHASE PRICE PAID FOR SUCH DEFECTIVE PRODUCT.

This warranty is not transferable and may only be enforced by the sole purchaser. Claims under this warranty must be submitted to Current Technology within thirty (30) days of discovery of any Current Technology product defect.

### WARRANTY PERIOD

	Standard	MasterPlan®
Select2	20 Years	—
Select Compact	15 Years	20 Years
HPI	20 Years	20 Years
TransGuard	15 Years	20 Years
CurrentGuard Plus	15 Years	20 Years
CurrentGuard	10 Years	20 Years
CurrentGuard Compact	10 Years	20 Years
Electronic Grade Panelboards		
EGPE2	10 Years	20 Years
TransEnd	5 Years	20 Years
LoadGuard	5 Years	20 Years
Monitoring & Diagnostic Tools	5 Years	20 Years



5900 EASTPORT BLVD.  
 RICHMOND, VA 23231-4453  
 TEL.: 804.236.3300 / 800.238.5000  
 FAX: 804.236.4047  
[www.currenttechnology.com](http://www.currenttechnology.com)