

Select² 300



SYSTEM FEATURES

The Select² product line has been evaluated to UL 1449 3rd Edition as a Type 1 SPD making it suitable for use in Type 1 or Type 2 SPD applications. In addition, the selenium-based seamless technology™ gives you added protection, maximum performance and dramatically extended product life.

PRODUCT SPECIFICATIONS

General Specifications

Maximum Surge Current Rating:	300kA per mode; 600kA per phase
Nominal Discharge Surge Current In:	20kA
Safety Listings	UL 1449 3 rd Edition 2009 Revision (effective 9/29/2009) as a Type 1 SPD suitable for use in Type 1 or Type 2 applications; UL 1283
Protection Method:	MOV, Selenium
Product Design:	Individually fused MOVs, Solid copper, tin-plated bus
Dimensions:	38"H x 22"W x 12"D
Weight:	150 lbs.
Enclosure Type:	NEMA 4
Installation Location:	Outdoor or Indoor
Operating Environment:	-40°C to +60°C 5% - 95% non-condensing humidity
Fault Current (SCCR):	200 kAIC
Connection Method:	Parallel
Protection Modes:	All modes (L-N, L-G, N-G, L-L)
Response Time:	<0.5 nanoseconds
Operating Frequency:	47-63 Hz
Warranty:	20 years

MODEL NUMBER SCHEME

E.g. MODEL # **SL2** **250**-**120/208**-**3GY**- **L3** - **D**
A **B** **C**

A – SURGE RATING (Must Choose One)

100	100kA per mode
150	150kA per mode
200	200kA per mode
250	250kA per mode
300	300kA per mode

B – VOLTAGE (Must Choose One)

120/208-3GY	120/208V, 3-Phase, WYE, 4-Wire + Ground
220/380-3GY	220/380V, 3-Phase, WYE, 4-Wire + Ground
277/480-3GY	277/480V, 3-Phase, WYE, 4-Wire + Ground
347/600-3GY	347/600V, 3-Phase, WYE, 4-Wire + Ground
120/240-2G	120/240V, 1-Phase, 3-Wire + Ground
120/240-3GHD	120/240V, 3-Phase High-Leg DELTA, 4-Wire + Ground (B Phase must be 208V)
240-3DG	240V, 3-Phase DELTA, 3-Wire + Ground
480-3DG	380V, 3-Phase DELTA, 3-Wire + Ground
600-3DG	600V, 3-Phase DELTA, 3-Wire + Ground

C – OPTIONS Monitoring

	Standard Monitoring: Indicator Lights
L1	Primary Monitoring: Standard Monitoring <i>Plus</i> Form "C" Contacts Advanced Monitoring: Primary Monitoring
L2	<i>Plus</i> Event Counter Display, Audible Alarm w/LED MasterMIND [®] Diagnostic Monitoring: Advanced Monitoring <i>Plus</i> Enhanced Status Indicator Lights, Integral Multifunction Power Monitor / Analyzer
	Enclosure
D	Integral Disconnect*
B	Bottom Feed
S	Stainless Steel

*If using as a Type 1 SPD, it is recommended to order with an integral disconnect.

STAND-ALONE OPTIONS (To Be Ordered As A Separate Item)

DTS	DTS-2 Diagnostic Test Set
MT	MasterTEST Hand-Held Tester:

Specifications subject to change without notice, refer to www.currenttechnology.com for latest issue.

FILTERING ATTENUATION FREQUENCIES

100KHz	1MHz	10MHz	100MHz
41dB	31dB	35dB	53dB

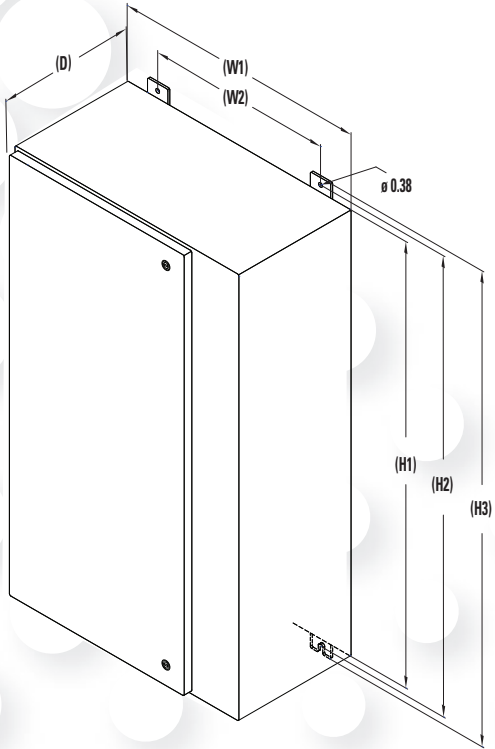
SINGLE/REPETITIVE SURGE CURRENT CAPACITIES

Protection mode	Single pulse surge current capacity/mode	Category C3 20kA, 10kA Repetitive surge current capacity/mode
Line-to-Neutral	300,000 amps	15,000 impulses
Line-to-Ground	300,000 amps	15,000 impulses
Neutral-to-Ground	300,000 amps	15,000 impulses
Line-to-Line	300,000 amps	15,000 impulses
Per Phase	600,000 amps	N/A

MAXIMUM CONTINUOUS OPERATING VOLTAGE (MCOV)

Nominal Voltage	MCOV	Nominal Voltage	MCOV
120V	150V	347V	420V
220V	275V	480V	550V
277V	320V	600V	660V

Select² 300



DIMENSIONAL SPECIFICATIONS

Dim	SL2 300	Inches	(mm)
H1		38.00	(965.2)
H2		39.25	(996.5)
H3		40.50	(1028.7)
W1		22.00	(558.8)
W2		16.00	(406.4)
D		11.826	(300.38)

All measurements in inches (mm)

SELECT 2 300 PERFORMANCE DATA

WITHOUT DISCONNECT

System Voltage	120/240V or 120/208V				277/480V			
	L-N	L-G	N-G	L-L	L-N	L-G	N-G	L-L
Protection Mode	L-N	L-G	N-G	L-L	L-N	L-G	N-G	L-L
MCOV	150	150	0	300	320	320	0	550
B3 Ring Wave 6kV, 500A	300	375	350	375	525	825	675	625
C3 Combo Wave 20kV, 10kA	625	625	725	925	1100	1050	1200	1925
UL1449 2nd Edition SVR 6kV, 500A	400	500	500	700	800	1000	900	1500
UL 1449 3rd Edition VPR 6kV, 3kA	700	700	1000	1000	1200	1200	1500	1800

WITH DISCONNECT

120/240V or 120/208V				277/480V			
L-N	L-G	N-G	L-L	L-N	L-G	N-G	L-L
150	150	0	300	320	320	0	550
350	425	325	475	575	850	675	725
750	800	725	1225	1200	1200	1200	2175
400	500	500	700	800	1000	900	1500
700	700	1000	1000	1200	1200	1500	1800

All Select² systems measured limited voltages are peak values ($\pm 10\%$) measured from the zero reference point and are in compliance with test and evaluation procedures outlined in UL 1449 3rd Edition and by IEEE standards.

Specifications subject to change without notice, refer to www.currenttechnology.com for latest revision.



5900 Eastport Boulevard Richmond, VA 23231-4453 USA
 TEL: 804.236.3300 800.238.5000 FAX: 804.236.4047

Warranty Statement

Standard Warranty

Current Technology warrants that your Current Technology surge protective device (the "Product"), shall meet applicable industry standards and specifications and be free from defects in materials and/or workmanship. Should any failure of the Product to conform to this warranty appear within the standard warranty period, Current Technology shall either repair or replace the defective Product, or part thereof, upon return to Current Technology manufacturing facility in Richmond, Virginia with transportation charges pre-paid. The applicable warranty period is outlined below in the warranty period section.

MasterPlan® Extended Warranty

The warranty period is extended to twenty (20) years if the Product meets all of the following criteria:

- a) The product is purchased simultaneously with a Select 2 selenium-enhanced SL2-300, SL2-250 or SL2-200 suppression filter system and
- b) the product is installed simultaneously with a Select 2 selenium-enhanced SL2-300, SL2-250 or SL2-200 suppression filter system and
- c) the product is installed electrically downstream from a Select 2 selenium-enhanced SL2-300, SL2-250 or SL2-200 suppression filter system.

Current Technology shall have no liability under this warranty for any problems or defects directly or indirectly caused by misuse of the Product, alteration of the Product (including removal of any warning labels), accidents, or improper installation, application, operation, or repair of the Product.

The liability of Current Technology under this warranty is expressly limited to the replacement or repair of the defective part thereof, at Current Technology sole option.

IN NO EVENT SHALL CURRENT TECHNOLOGY BE LIABLE FOR SPECIAL, INCIDENTAL, OR CONSEQUENTIAL DAMAGES OF ANY KIND OR CHARACTER, NOR SHALL CURRENT TECHNOLOGY' LIABILITY EVER EXCEED THE PURCHASE PRICE PAID FOR SUCH DEFECTIVE PRODUCT.

This warranty is not transferable and may only be enforced by the sole purchaser. Claims under this warranty must be submitted to Current Technology within thirty (30) days of discovery of any Current Technology product defect.

WARRANTY PERIOD

	Standard	MasterPlan®
Select2	20 Years	—
Select Compact	15 Years	20 Years
HPI	20 Years	20 Years
TransGuard	15 Years	20 Years
CurrentGuard Plus	15 Years	20 Years
CurrentGuard	10 Years	20 Years
CurrentGuard Compact	10 Years	20 Years
Electronic Grade Panelboards		
EGPE2	10 Years	20 Years
TransEnd	5 Years	20 Years
LoadGuard	5 Years	20 Years
Monitoring & Diagnostic Tools	5 Years	20 Years



5900 EASTPORT BLVD.
 RICHMOND, VA 23231-4453
 TEL.: 804.236.3300 / 800.238.5000
 FAX: 804.236.4047
www.currenttechnology.com